

ST 3000 Smart Pressure Transmitter Series 100 Differential Pressure Models

34-ST-03-60
07/2003

Specification and Model Selection Guide

STD110	0 to 10 inH ₂ O	0 to 25 mbar
STD120	0 to 400 inH ₂ O	0 to 1,000 mbar
STD125	0 to 600 inH ₂ O	0 to 1,500 mbar
STD130	0 to 100 psi	0 to 7,000 mbar
STD170	0 to 3000 psi	0 to 210,000 mbar

Introduction

In 1983, Honeywell introduced the first Smart Pressure Transmitter—the ST 3000®. In 1989, Honeywell launched the first all digital, bi-directional protocol for smart field devices. Today, its ST 3000 Series 100 Differential Pressure Transmitters continue to bring proven “smart” technology to a wide spectrum of pressure measurement applications, from furnace combustion airflow rate to hydrostatic tank gauging. The ST 3000 S100 Differential Pressure Transmitter can be used with any primary flow element to provide proven, repeatable flow measurement.

All ST 3000 transmitters can provide a 4-20 mA output, Honeywell Digitally Enhanced (DE) output, HART® output, or FOUNDATION™ Fieldbus output. When digitally integrated with Honeywell’s Process Knowledge System™, EXPERION PKS™, ST 3000 instruments provide a more accurate process variable as well as advanced diagnostics.

Honeywell’s high-performance ST 3000 S100 transmitters lead the industry in:

- Accuracy
- Stability
- Reliability
- Rangeability
- Warranty

Includes Lifetime™ Transmitters:

- Accuracy = +/-0.0375%
- Stability = +/-0.01% per year
- Reliability = 470 years MTBF
- Rangeability = 400 to 1
- Lifetime Warranty = 15 years



Figure 1—Series 100 Differential Pressure Transmitters feature proven piezoresistive sensor technology.

The devices provide comprehensive self-diagnostics to help users maintain high uptime, meet regulatory requirements, and attain high quality standards. S100 transmitters are ideal for critical applications, such as custody transfer of natural gas and energy and material balances, where accuracy and stability are of the utmost importance.

“Our commitment to Honeywell field instruments is based on seamless integration with our Honeywell system and the enhanced fault detection that the Honeywell DE protocol offers. Honeywell instruments also offer us a better way of ensuring database integrity over simple analog instruments. In addition, Honeywell’s high-quality support has enabled us to better implement solutions to some of our more difficult problems. We have used Honeywell differential pressure smart transmitters for the past eight years. Based on their accuracy and low failure rates, we are now targeting critical flow applications that require the robustness that these transmitters bring.”

DCS Systems Engineer
International Integrated Oil Company

Description

The ST 3000 transmitter can replace any 4 to 20 mA output transmitter in use today and operates over a standard two-wire system.

The measuring means is a piezoresistive sensor, which actually contains three sensors in one. It contains a differential pressure sensor, a temperature sensor, and a static pressure sensor.

Microprocessor-based electronics provide higher span-turndown ratio, improved temperature and pressure compensation, and improved accuracy.

The transmitter's meter body and electronics housing resist shock, vibration, corrosion, and moisture. The electronics housing contains a compartment for the single-board electronics, which is isolated from an integral junction box. The single-board electronics is replaceable and interchangeable with any other ST 3000 Series 100 or Series 900 model transmitter.

Like other Honeywell transmitters, the ST 3000 features two-way communication between the operator and the transmitter through our Smart Field Configurator (SFC). You can connect the SFC anywhere that you can access the transmitter signal lines.

The SCT 3000 Smartline[®] Configuration Toolkit provides an easy way to configure instruments using a personal computer. The toolkit enables configuration of devices before shipping or installation. The SCT 3000 can operate in the offline mode to configure an unlimited number of devices. The database can then be loaded downline during commissioning.

Features

- Choice of linear or square root output conformity is a simple configuration selection.
- Direct digital integration with Experion PKS and other control systems provides local measurement accuracy to the system level without adding typical A/D and D/A converter inaccuracies.
- Unique piezoresistive sensor automatically compensates input for temperature and static pressure. Added "smart" features include configuring lower and upper range values, simulating accurate analog output, and selecting preprogrammed engineering units for display.
- Smart transmitter capabilities with local or remote interfacing means significant manpower efficiency improvements in commissioning, start-up, and ongoing maintenance functions.

Specifications

Operating Conditions – All Models

Parameter	Reference Condition		Rated Condition		Operative Limits		Transportation and Storage	
	°C	°F	°C	°F	°C	°F	°C	°F
Ambient Temperature								
STD110	25±1	77±2	-15 to 65	5 to 150	-40 to 70	-40 to 158	-40 to 70	-40 to 158
STD125	25±1	77±2	-40 to 85	-40 to 185	-40 to 85	-40 to 185	-55 to 125	-67 to 257
STD120, STD130, STD170	25±1	77±2	-40 to 85	-40 to 185	-40 to 93	-40 to 200	-55 to 125	-67 to 257
Meter Body Temperature								
STD110	25±1	77±2	-15 to 65	5 to 150	-40 to 70	-40 to 158	-40 to 70	-40 to 158
STD125	25±1	77±2	-40 to 85	-40 to 185	-40 to 85	-40 to 185	-55 to 125	-67 to 257
STD120, STD130, STD170	25±1	77±2	-40 to 110*	-40 to 230*	-40 to 125	-40 to 257	-55 to 125	-67 to 257
Humidity %RH	10 to 55		0 to 100		0 to 100		0 to 100	
Overpressure STD110	0		50		50			
psi	0		3.45		3.45			
bar	0		3000		3000			
All Other Models	0		210		210			
psi	0							
bar	0							
Static Pressure STD110	0		10		50			
psi	0		0.7		3.45			
bar								
Vacuum Region - Minimum Pressure								
All Models Except STD110	Atmospheric		25		2 (short term **)			
mmHg absolute	Atmospheric		13		1 (short term **)			
inH ₂ O absolute								
Supply Voltage, Current, and Load Resistance	Voltage Range: 10.8 to 42.4 Vdc at terminals Current Range: 3.0 to 21.8 mA Load Resistance: 0 to 1440 ohms (as shown in Figure 2)							

* For CTFE fill fluid, the rating is -15 to 110°C (5 to 230°F)

** Short term equals 2 hours at 70°C (158 °F)

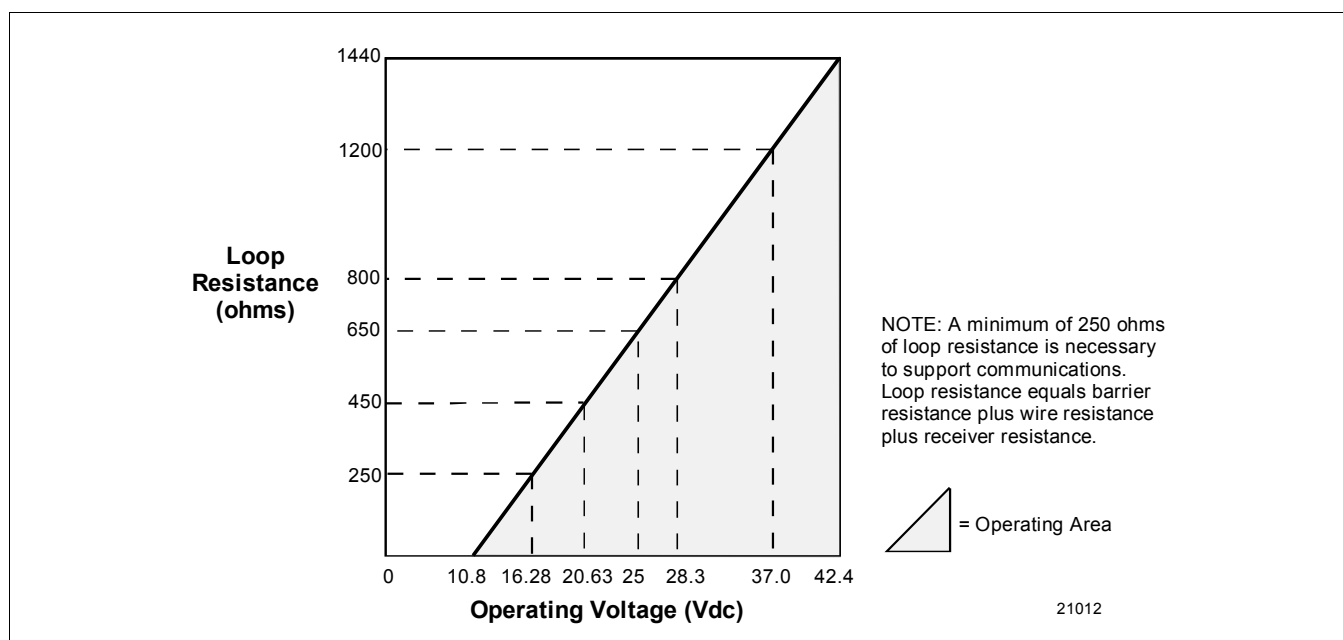


Figure 2 - Supply voltage and loop resistance chart.

Performance Under Rated Conditions* - Model STD120 (0 to 400 inH₂O)

Parameter	Description
Upper Range Limit inH ₂ O mbar	400 (39.2°F/4°C is standard reference temperature for inH ₂ O range.) 1000
Minimum Span inH ₂ O mbar	1 Note: Recommended minimum span in square root mode is 20 inH ₂ O (50 mbar). 2.5
Turndown Ratio	400 to 1
Zero Elevation and Suppression	No limit except minimum span within ±100% URL. Specifications valid from –5 to +100% URL.
Accuracy (Reference – Includes combined effects of linearity, hysteresis, and repeatability) • Accuracy includes residual error after averaging successive readings. • For FOUNDATION Fieldbus use Digital Mode specifications. For HART use Analog Mode specifications.	In Analog Mode: ±0.075% of calibrated span or upper range value (URV), whichever is greater, terminal based. For URV below reference point (25 inH ₂ O), accuracy equals: $\pm 0.025 + 0.05 \left(\frac{25 \text{ inH}_2\text{O}}{\text{span inH}_2\text{O}} \right)$ or $\pm 0.025 + 0.05 \left(\frac{62 \text{ mbar}}{\text{span mbar}} \right)$ in % span * For High Accuracy (HA) option: +/- 0.0375% of calibrated span or upper range value (URV), whichever is greater, terminal based. In Digital Mode: ±0.0625% of calibrated span or upper range value (URV), whichever is greater, terminal based. For URV below reference point (25 inH ₂ O), accuracy equals: $\pm 0.0125 + 0.05 \left(\frac{25 \text{ inH}_2\text{O}}{\text{span inH}_2\text{O}} \right)$ or $\pm 0.0125 + 0.05 \left(\frac{62 \text{ mbar}}{\text{span mbar}} \right)$ in % span * For High Accuracy (HA) option: +/- 0.035% of calibrated span or upper range value (URV), whichever is greater, terminal based.
Zero Temperature Effect per 28°C 50°F)	In Analog Mode: ±0.0625% of span. For URV below reference point (50 inH ₂ O), effect equals: $\pm 0.0125 + 0.05 \left(\frac{50 \text{ inH}_2\text{O}}{\text{span inH}_2\text{O}} \right)$ or $\pm 0.0125 + 0.05 \left(\frac{125 \text{ mbar}}{\text{span mbar}} \right)$ in % span In Digital Mode: ±0.05% of span. For URV below reference point (50 inH ₂ O), effect equals: $\pm 0.05 \left(\frac{50 \text{ inH}_2\text{O}}{\text{span inH}_2\text{O}} \right)$ or $\pm 0.05 \left(\frac{125 \text{ mbar}}{\text{span mbar}} \right)$ in % span
Combined Zero and Span Temperature Effect per 28°C (50°F)	In Analog Mode: ±0.10% of span. For URV below reference point (50 inH ₂ O), effect equals: $\pm 0.05 + 0.05 \left(\frac{50 \text{ inH}_2\text{O}}{\text{span inH}_2\text{O}} \right)$ or $\pm 0.05 + 0.05 \left(\frac{125 \text{ mbar}}{\text{span mbar}} \right)$ in % span In Digital Mode: ±0.075% of span. For URV below reference point (50 inH ₂ O), effect equals: $\pm 0.025 + 0.05 \left(\frac{50 \text{ inH}_2\text{O}}{\text{span inH}_2\text{O}} \right)$ or $\pm 0.025 + 0.05 \left(\frac{125 \text{ mbar}}{\text{span mbar}} \right)$ in % span
Zero Static Pressure Effect per 1000 psi (70 bar)	±0.075% of span. For URV below reference point (50 inH ₂ O), effect equals: $\pm 0.0125 + 0.0625 \left(\frac{50 \text{ inH}_2\text{O}}{\text{span inH}_2\text{O}} \right)$ or $\pm 0.0125 + 0.0625 \left(\frac{125 \text{ mbar}}{\text{span mbar}} \right)$ in % span
Combined Zero and Span Static Pressure Effect per 1000 psi (70 bar)	±0.15% of span. For URV below reference point (50 inH ₂ O), effect equals: $\pm 0.0875 + 0.0625 \left(\frac{50 \text{ inH}_2\text{O}}{\text{span inH}_2\text{O}} \right)$ or $\pm 0.0875 + 0.0625 \left(\frac{125 \text{ mbar}}{\text{span mbar}} \right)$ in % span
Stability	±0.01% of URL per year for lifetime

* Performance specifications are based on reference conditions of 25°C (77°F), zero (0) static pressure, 10 to 55% RH, and 316 Stainless Steel barrier diaphragm.

Performance Under Rated Conditions* - Model STD125 (0 to 600 inH₂O)

Parameter	Description
Upper Range Limit inH ₂ O mbar	600 (39.2°F/4°C is standard reference temperature for inH ₂ O range.) 1500
Minimum Span inH ₂ O mbar	25 62.2
Turndown Ratio	24 to 1
Zero Elevation and Suppression	No limit except minimum span within 0 to 100% URL.
Accuracy (Reference – Includes combined effects of linearity, hysteresis, and repeatability) <ul style="list-style-type: none"> • Accuracy includes residual error after averaging successive readings. • For FOUNDATION Fieldbus use Digital Mode specifications. For HART use Analog Mode specifications. 	<p>In Analog Mode: ±0.075% of calibrated span or upper range value (URV), whichever is greater, terminal based. For URV below reference point (25 inH₂O), accuracy equals: $\pm 0.0375 + 0.0375 \left(\frac{25 \text{ inH}_2\text{O}}{\text{span inH}_2\text{O}} \right) \text{ or } \pm 0.0375 + 0.0375 \left(\frac{62 \text{ mbar}}{\text{span mbar}} \right) \text{ in } \% \text{ span}$</p> <p>In Digital Mode: ±0.05% of calibrated span or upper range value (URV), whichever is greater, terminal based. For URV below reference point (25 inH₂O), accuracy equals: $\pm 0.0125 + 0.0375 \left(\frac{25 \text{ inH}_2\text{O}}{\text{span inH}_2\text{O}} \right) \text{ or } \pm 0.0125 + 0.0375 \left(\frac{62 \text{ mbar}}{\text{span mbar}} \right) \text{ in } \% \text{ span}$</p>
Zero Temperature Effect per 28°C (50°F)	<p>In Analog Mode: ±0.0625% of span. For URV below reference point (50 inH₂O), effect equals: $\pm 0.0125 + 0.05 \left(\frac{50 \text{ inH}_2\text{O}}{\text{span inH}_2\text{O}} \right) \text{ or } \pm 0.0125 + 0.05 \left(\frac{125 \text{ mbar}}{\text{span mbar}} \right) \text{ in } \% \text{ span}$</p> <p>In Digital Mode: ±0.05% of span. For URV below reference point (50 inH₂O), effect equals: $\pm 0.05 \left(\frac{50 \text{ inH}_2\text{O}}{\text{span inH}_2\text{O}} \right) \text{ or } \pm 0.05 \left(\frac{125 \text{ mbar}}{\text{span mbar}} \right) \text{ in } \% \text{ span}$</p>
Combined Zero and Span Temperature Effect per 28°C (50°F)	<p>In Analog Mode: ±0.10% of span. For URV below reference point (50 inH₂O), effect equals: $\pm 0.05 + 0.05 \left(\frac{50 \text{ inH}_2\text{O}}{\text{span inH}_2\text{O}} \right) \text{ or } \pm 0.05 + 0.05 \left(\frac{125 \text{ mbar}}{\text{span mbar}} \right) \text{ in } \% \text{ span}$</p> <p>In Digital Mode: ±0.075% of span. For URV below reference point (50 inH₂O), effect equals: $\pm 0.025 + 0.05 \left(\frac{50 \text{ inH}_2\text{O}}{\text{span inH}_2\text{O}} \right) \text{ or } \pm 0.025 + 0.05 \left(\frac{125 \text{ mbar}}{\text{span mbar}} \right) \text{ in } \% \text{ span}$</p>
Zero Static Pressure Effect per 1000 psi (70 bar)	<p>±0.075% of span. For URV below reference point (50 inH₂O), effect equals: $\pm 0.0125 + 0.0625 \left(\frac{50 \text{ inH}_2\text{O}}{\text{span inH}_2\text{O}} \right) \text{ or } \pm 0.0125 + 0.0625 \left(\frac{125 \text{ mbar}}{\text{span mbar}} \right) \text{ in } \% \text{ span}$</p>
Combined Zero and Span Static Pressure Effect per 1000 psi (70 bar)	<p>±0.20% of span. For URV below reference point (50 inH₂O), effect equals: $\pm 0.1375 + 0.0625 \left(\frac{50 \text{ inH}_2\text{O}}{\text{span inH}_2\text{O}} \right) \text{ or } \pm 0.1375 + 0.0625 \left(\frac{125 \text{ mbar}}{\text{span mbar}} \right) \text{ in } \% \text{ span}$</p>
Stability	±0.015% URL per year

* Performance specifications are based on reference conditions of 25°C (77°F), zero (0) static pressure, 10 to 55% RH, and 316 Stainless Steel barrier diaphragm.

Performance Under Rated Conditions* - Model STD130 (0 to 100 psi)

Parameter	Description
Upper Range Limit psi bar	100 7
Minimum Span psi bar	5 0.35
Turndown Ratio	20 to 1
Zero Elevation and Suppression	No limit except minimum span within -18 and +100% URL. Specifications valid from -5 to +100% URL.
Accuracy (Reference – Includes combined effects of linearity, hysteresis, and repeatability) <ul style="list-style-type: none"> • Accuracy includes residual error after averaging successive readings. • For FOUNDATION Fieldbus use Digital Mode specifications. For HART use Analog Mode specifications. 	<p>In Analog Mode: ±0.075% of calibrated span or upper range value (URV), whichever is greater, terminal based. For URV below reference point (15 psi), accuracy equals: $\pm 0.025 + 0.05 \left(\frac{15 \text{ psi}}{\text{span psi}} \right)$ or $\pm 0.025 + 0.05 \left(\frac{1 \text{ bar}}{\text{span bar}} \right)$ in % span</p> <p>In Digital Mode: ±0.0625% of calibrated span or upper range value (URV), whichever is greater, terminal based. For URV below reference point (15 psi), accuracy equals: $\pm 0.0125 + 0.05 \left(\frac{15 \text{ psi}}{\text{span psi}} \right)$ or $\pm 0.0125 + 0.05 \left(\frac{1 \text{ bar}}{\text{span bar}} \right)$ in % span</p>
Zero Temperature Effect per 28°C (50°F)	<p>In Analog Mode: ±0.0625% of span. For URV below reference point (30 psi), effect equals: $\pm 0.0125 + 0.05 \left(\frac{30 \text{ psi}}{\text{span psi}} \right)$ or $\pm 0.0125 + 0.05 \left(\frac{2 \text{ bar}}{\text{span bar}} \right)$ in % span</p> <p>In Digital Mode: ±0.05% of span. For URV below reference point (30 psi), effect equals: $\pm 0.05 \left(\frac{30 \text{ psi}}{\text{span psi}} \right)$ or $\pm 0.05 \left(\frac{2 \text{ bar}}{\text{span bar}} \right)$ in % span</p>
Combined Zero and Span Temperature Effect per 28°C (50°F)	<p>In Analog Mode: ±0.10% of span. For URV below reference point (30 psi), effect equals: $\pm 0.05 + 0.05 \left(\frac{30 \text{ psi}}{\text{span psi}} \right)$ or $\pm 0.05 + 0.05 \left(\frac{2 \text{ bar}}{\text{span bar}} \right)$ in % span</p> <p>In Digital Mode: ±0.075% of span. For URV below reference point (30 psi), effect equals: $\pm 0.025 + 0.05 \left(\frac{30 \text{ psi}}{\text{span psi}} \right)$ or $\pm 0.025 + 0.05 \left(\frac{2 \text{ bar}}{\text{span bar}} \right)$ in % span</p>
Zero Static Pressure Effect per 1000 psi (70 bar)	<p>±0.075% of span. For URV below reference point (30 psi), effect equals: $\pm 0.0125 + 0.0625 \left(\frac{30 \text{ psi}}{\text{span psi}} \right)$ or $\pm 0.0125 + 0.0625 \left(\frac{2 \text{ bar}}{\text{span bar}} \right)$ in % span</p>
Combined Zero and Span Static Pressure Effect per 1000 psi (70 bar)	<p>±0.15% of span. For URV below reference point (30 psi), effect equals: $\pm 0.0875 + 0.0625 \left(\frac{30 \text{ psi}}{\text{span psi}} \right)$ or $\pm 0.0875 + 0.0625 \left(\frac{2 \text{ bar}}{\text{span bar}} \right)$ in % span</p>
Stability	±0.04% of URL per year.

* Performance specifications are based on reference conditions of 25°C (77°F), zero (0) static pressure, 10 to 55% RH, and 316 Stainless Steel barrier diaphragm.

Performance Under Rated Conditions* - Model STD170 (0 to 3000 psi)

Parameter	Description
Upper Range Limit psi bar	3000 210
Minimum Span psi bar	100 7
Turndown Ratio	30 to 1
Zero Elevation and Suppression	No limit except minimum span within –0.6 and +100% URL. Specifications valid over this range.
Accuracy (Reference – Includes combined effects of linearity, hysteresis, and repeatability) <ul style="list-style-type: none"> • Accuracy includes residual error after averaging successive readings. • For FOUNDATION Fieldbus use Digital Mode specifications. For HART use Analog Mode specifications. 	In Analog Mode: ±0.15% of calibrated span or upper range value (URV), whichever is greater, terminal based. For URV below reference point (300 psi), accuracy equals: $\pm 0.05 + 0.10 \left(\frac{300 \text{ psi}}{\text{span psi}} \right)$ or $\pm 0.05 + 0.10 \left(\frac{21 \text{ bar}}{\text{span bar}} \right)$ in % span In Digital Mode: ±0.125% of calibrated span or upper range value (URV), whichever is greater, terminal based. For URV below reference point (300 psi), accuracy equals: $\pm 0.025 + 0.10 \left(\frac{300 \text{ psi}}{\text{span psi}} \right)$ or $\pm 0.025 + 0.10 \left(\frac{21 \text{ bar}}{\text{span bar}} \right)$ in % span
Zero Temperature Effect per 28°C (50°F)	In Analog Mode: ±0.1125% of span. For URV below reference point (500 psi), effect equals: $\pm 0.0125 + 0.10 \left(\frac{500 \text{ psi}}{\text{span psi}} \right)$ or $\pm 0.0125 + 0.10 \left(\frac{35 \text{ bar}}{\text{span bar}} \right)$ in % span In Digital Mode: ±0.10% of span. For URV below reference point (500 psi), effect equals: $\pm 0.10 \left(\frac{500 \text{ psi}}{\text{span psi}} \right)$ or $\pm 0.10 \left(\frac{35 \text{ bar}}{\text{span bar}} \right)$ in % span
Combined Zero and Span Temperature Effect per 28°C (50°F)	In Analog Mode: ±0.175% of span. For URV below reference point (500 psi), effect equals: $\pm 0.075 + 0.10 \left(\frac{500 \text{ psi}}{\text{span psi}} \right)$ or $\pm 0.075 + 0.10 \left(\frac{35 \text{ bar}}{\text{span bar}} \right)$ in % span In Digital Mode: ±0.15% of span. For URV below reference point (500 psi), effect equals: $\pm 0.05 + 0.10 \left(\frac{500 \text{ psi}}{\text{span psi}} \right)$ or $\pm 0.05 + 0.10 \left(\frac{35 \text{ bar}}{\text{span bar}} \right)$ in % span
Zero Static Pressure Effect per 1000 psi (70 bar)	±0.075% of span. For URV below reference point (500 psi), effect equals: $\pm 0.0125 + 0.0625 \left(\frac{500 \text{ psi}}{\text{span psi}} \right)$ or $\pm 0.0125 + 0.0625 \left(\frac{35 \text{ bar}}{\text{span bar}} \right)$ in % span
Combined Zero and Span Static Pressure Effect per 1000 psi (70 bar)	±0.15% of span. For URV below reference point (500 psi), effect equals: $\pm 0.0875 + 0.0625 \left(\frac{500 \text{ psi}}{\text{span psi}} \right)$ or $\pm 0.0875 + 0.0625 \left(\frac{35 \text{ bar}}{\text{span bar}} \right)$ in % span
Stability	±0.03% of URL per year.

* Performance specifications are based on reference conditions of 25°C (77°F), zero (0) static pressure, 10 to 55% RH, and 316 Stainless Steel barrier diaphragm.

Performance Under Rated Conditions - General for all Models

Parameter	Description
Output (two-wire)	Analog 4 to 20 mA or digital communications DE mode. Options available for FOUNDATION Fieldbus and HART protocol.
Supply Voltage Effect	0.005% span per volt.
Damping Time Constant	Adjustable from 0 to 32 seconds digital damping.
CE Conformity (Europe)	89/336/EEC, Electromagnetic Compatibility (EMC) Directive.
Lightning Protection Option (Code "LP")	Leakage Current: 10 microamps max. @ 42.4 VDC, 93°C Impulse Rating: 10/20 μ sec. 5,000 Amps (50 strikes) 10,000 Amps (20 strikes) (rise/decay) 10/1000 μ sec. 250 Amps (1000 strikes) 500 Amps (400 strikes)

Physical and Approval Bodies

Barrier Diaphragms Material STD125, STD110 STD120, STD130 STD170	316L SS 316L SS, Hastelloy C-276, Monel, Tantalum 316L SS, Hastelloy C-276
Process Head Material STD125, STD110 STD120, STD130 STD170	316 SS, Carbon Steel (Zinc-plated or Nickel-plated) 316 SS, Carbon Steel (Zinc-plated or Nickel-plated), Monel, Hastelloy C-276 316 SS, Carbon Steel (Zinc-plated or Nickel-plated), Hastelloy C-276
Head Gaskets	Glass filled PTFE standard (Teflon for STD125). Viton is optional
Meter Body Bolting	Carbon Steel (Zinc plated) standard. Options include 316 SS nuts and bolts, NACE A286 SS bolts and 304 SS nuts and B7M bolts and nuts
Optional Adapter Flange and Bolts	Adapter Flange materials include 316 SS, Hastelloy 276 and Monel. Bolt material for flanges is dependent on process head bolts material chosen. Standard flange material is glass filled PTFE. Viton is optional.
Mounting Bracket	Carbon Steel (Zinc-plated) or Stainless Steel angle bracket or Carbon Steel flat bracket available (standard options).
Fill Fluid	Silicone DC 200 oil or CTFE (Chlorotrifluoroethylene). Note that Model STD110 is only available with silicone fill fluid.
Electronic Housing	Epoxy-Polyester hybrid paint. Low Copper-Aluminum. Meets NEMA 4X (watertight) and NEMA 7 (explosion proof). Stainless steel optional.
Process Connections	1/4-inch NPT; 1/2-inch NPT with adapter (standard option, meets DIN requirements)
Wiring	Accepts up to 16 AWG (1.5 mm diameter).
Mounting	Can be mounted in virtually any position using the standard mounting bracket. Bracket is designed to mount on 2-inch (50 mm) vertical or horizontal pipe. See Figure 3.
Dimensions	See Figures 4 and 5.
Net Weight	9.0 pounds (4.1 Kg). 12.5 pounds (5.6 Kg) for STD125
Approval Bodies - Hazardous Areas	Approved as explosion proof and intrinsically safe for use in Class I, Division 1, Groups A, B, C, D locations, and nonincendive for Class I, Division 2, Groups A, B, C, D locations. Approved EEx ia IIC T4, T5, T6 and EEx d IIC T5, T6 per ATEX standards. See attached Model Selection Guide for options.
Pressure Equipment Directive (97/23/EC)	The ST 3000 pressure transmitters listed in this Specification have no pressurized internal volume or have a pressurized internal volume rated less than 1,000 bar (14,500 psig) and/or have a maximum volume of less than 0.1 liter. Therefore, these transmitters are either; not subject to the essential requirements of the directive 97/23/EC (PED, Annex 1) and shall not have the CE mark, or the manufacturer has the free choice of a module when the CE mark is required for pressures > 200 bar (2,900 psig).

NOTE: Pressure transmitters that are part of safety equipment for the protection of piping (systems) or vessel(s) from exceeding allowable pressure limits, (equipment with safety functions in accordance with Pressure Equipment Directive 97/23/EC article 1, 2.1.3), require separate examination.

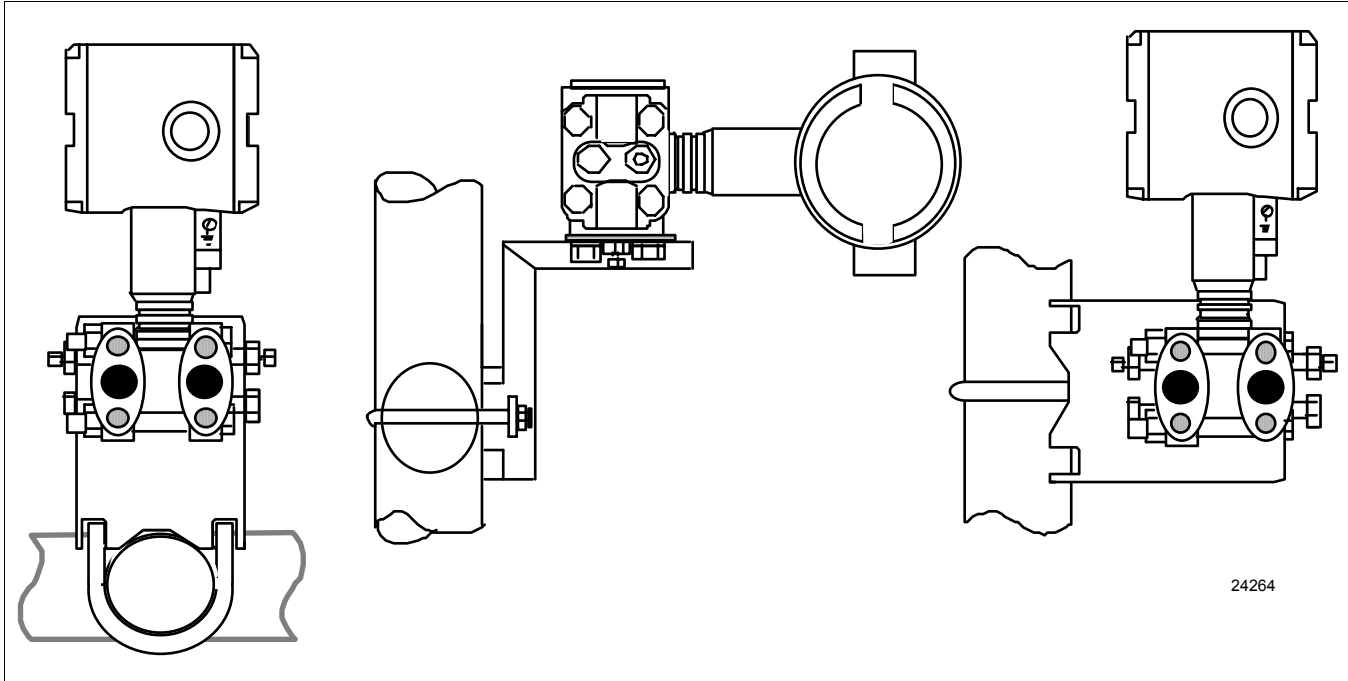
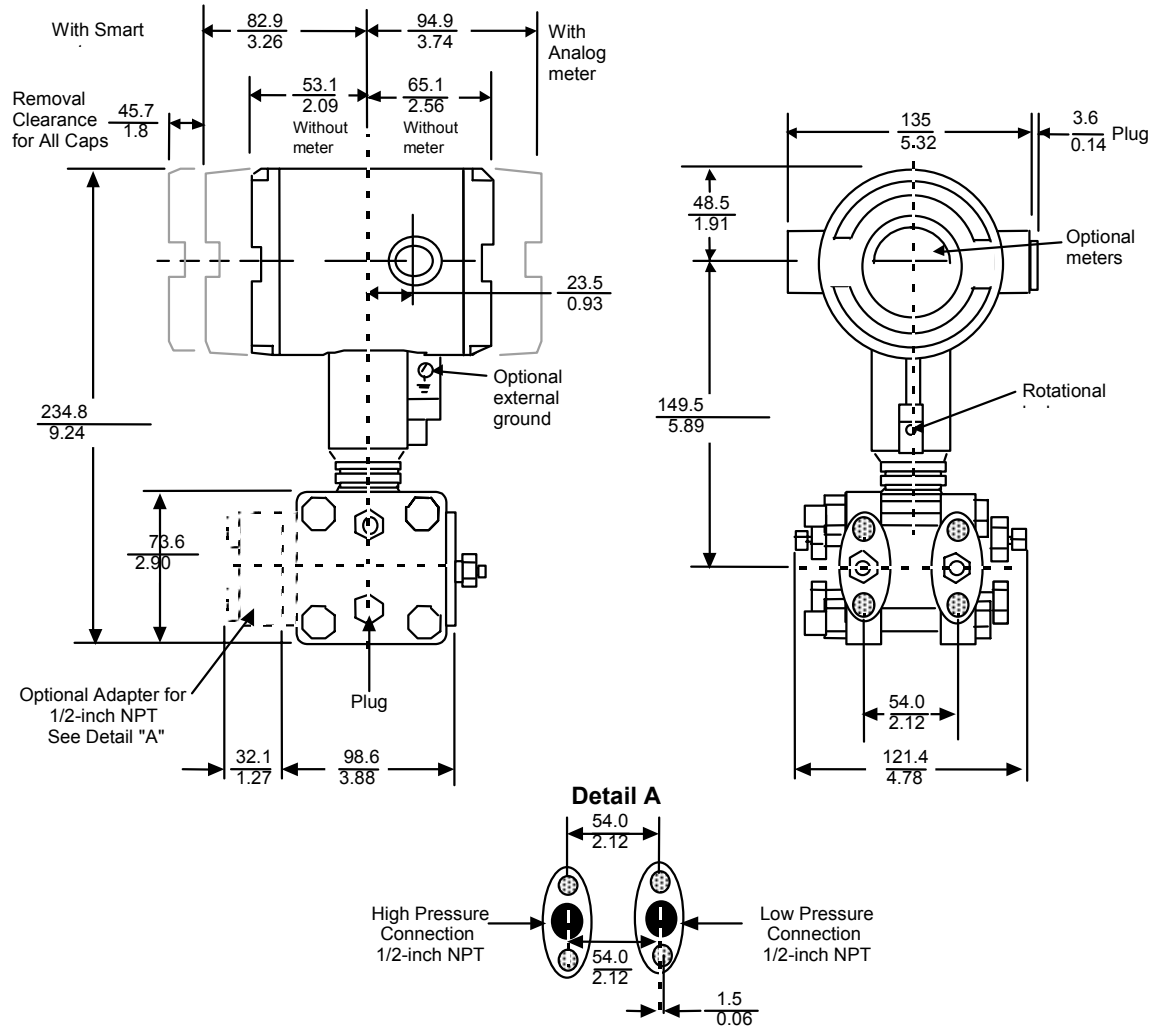


Figure 3 - Examples of typical mounting positions

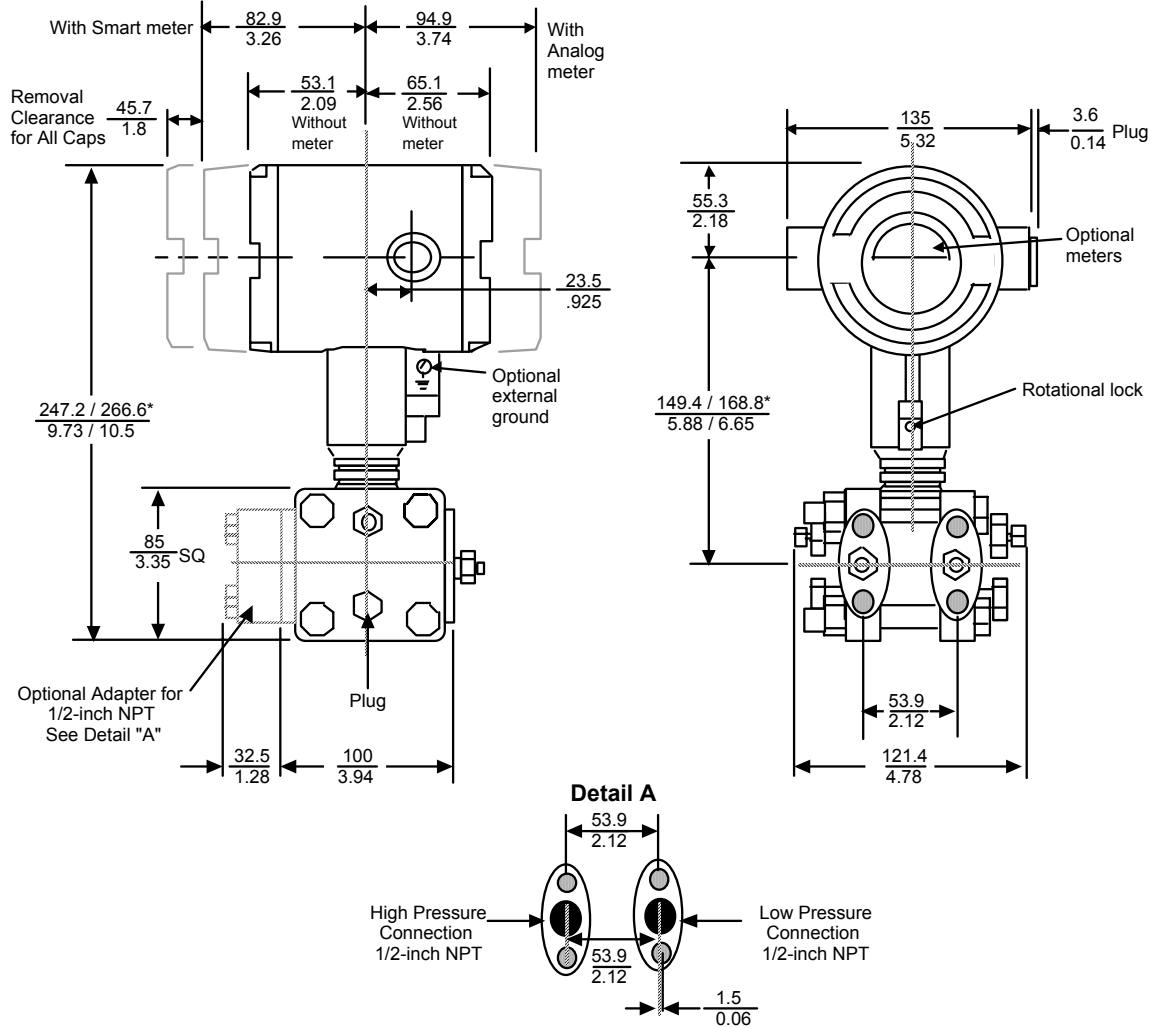
Reference Dimensions: $\frac{\text{millimeters}}{\text{inches}}$



24265

Figure 4 - Typical mounting dimensions of STD110, STD120, STD130 & STD170 for reference

Reference Dimensions: $\frac{\text{millimeters}}{\text{inches}}$



* Dimensions vary due to slight differences in electronics housing designs.

24265

Figure 5 - Typical mounting dimensions of STD125 for reference

Options

Mounting Bracket

The angle mounting bracket is available in either zinc-plated carbon steel or stainless steel and is suitable for horizontal or vertical mounting on a two inch (50 millimeter) pipe, as well as wall mounting. An optional flat mounting bracket is also available in carbon steel for two inch (50 millimeter) pipe mounting.

**Indicating Meter
(ME and SM Options)**

Two integral meter options are available. An analog meter (option ME) is available with a dual 0 to 10 square root and 0 to 100% linear scale. The Smart Meter (option SM) provides an LCD display for both analog and digital output and can be configured to display pressure in selected engineering units.

**HART Protocol Compatibility
(Option HC)**

An optional electronics module is available for the ST 3000 that provides HART Protocol compatibility. Transmitters with the HART Option are compatible with the AMS System. (Contact your AMS Supplier if an upgrade is required.)

**Lightning Protection
(Option LP)**

A terminal block is available with circuitry that protects the transmitter from transient surges induced by nearby lightning strikes.

**Lifetime Warranty
(Option WL)**

Extends limited 1-year warranty policy to 15 years for ST 3000 S100 pressure transmitters. See Honeywell Terms and Conditions.

**Indicator Configuration
(Option CI)**

Provides custom configuration of Smart Meters

Tagging (Option TG)

Up to 30 characters can be added on the stainless steel nameplate mounted on the transmitter's electronics housing at no extra cost. Note that a separate nameplate on the meter body contains the serial number and body-related data. A stainless steel wired on tag with additional data of up to 4 lines of 28 characters is also available. The number of characters for tagging includes spaces.

**Transmitter Configuration
(Option TC)**

The factory can configure the transmitter linear/square root extraction, damping time, LRV, URV and mode (analog/digital) and enter an ID tag of up to eight characters and scratchpad information as specified.

**Custom Calibration and ID in
Memory (Option CC)**

The factory can calibrate any range within the scope of the transmitter's range and enter an ID tag of up to eight characters in the transmitter's memory.

**FOUNDATION Fieldbus
(Option FF)**

Equips transmitter with FF protocol for use in 31.25 kbit/s FF networks. See document 34-ST-03-72 for additional information on ST 3000 Fieldbus transmitters.

**High Accuracy
(Option HA)**

Extends applicable S100 models to +/- 0.0375% analog reference accuracy

Ordering Information

Contact your nearest Honeywell sales office, or

In the U.S.:

Honeywell
Industrial Automation & Control
16404 North Black Canyon Hwy.
Phoenix, AZ 85053
1-800-288-7491

In Canada:

The Honeywell Centre
155 Gordon Baker Rd.
North York, Ontario M2H 3N7
1-800-461-0013

In Latin America:

Honeywell Inc.
480 Sawgrass Corporate Parkway,
Suite 200
Sunrise, FL 33325
(954) 845-2600

In Europe and Africa:

Honeywell S. A.
Avenue du Bourget 1
1140 Brussels, Belgium

In Eastern Europe:

Honeywell Praha,
s.r.o. Budejovicka 1
140 21 Prague 4,
Czech Republic

In the Middle East:

Honeywell Middle East Ltd.
Khalifa Street,
Sheikh Faisal Building
Abu Dhabi, U. A. E.

In Asia:

Honeywell Asia Pacific Inc.
Honeywell Building,
17 Changi Business Park Central 1
Singapore 486073
Republic of Singapore

In the Pacific:

Honeywell Pty Ltd.
5 Thomas Holt Drive
North Ryde NSW Australia 2113
(61 2) 9353 7000

In Japan:

Honeywell K.K.
14-6 Shibaura 1-chrome
Minato-ku, Tokyo, Japan 105-0023

Or, visit Honeywell on the World Wide Web at: <http://www.honeywell.com>

Specifications are subject to change without notice.

Model Selection Guide (34-ST-16-01)

Instructions

- Select the desired Key Number. The arrow to the right marks the selection available.
- Make one selection from each Table I and II using the column below the proper arrow.
- Select as many Table III options as desired (if no options or approvals are desired, specify 9X).
A (♦) denotes unrestricted availability. A letter denotes restricted availability.
Restrictions follow Table IV.

List Price equals the sum of all selections made.

Key Number - I - II - III (Optional) + IV XXXX

KEY NUMBER	Selection	Availability				
Span						
0-1" to 0-400" H ₂ O/0-2.5 to 0-1000 mbar Body Rating: 4500 psi (315 bar)	STD120	↓				
0-5 to 0-100 psi/0-0.35 to 0-7 bar Body Rating: 4500 psi (315 bar)	STD130		↓			
0-100 to 0-3000 psi/0-7 to 0-210 bar Body Rating: 4500 psi (315 bar)	STD170			↓		
0-25" to 0-600" H ₂ O/0-62.2 to 0-1500 mbar Body Rating: 3000 psi (210 bar)	STD125				↓	
0-0.4" to 0-10" H ₂ O/0-1 to 0-25 mbar Body Rating: 50 psi (3.5 bar) Compound Characterized	STD110					↓

TABLE I - METER BODY

	Wetted Process Heads	Vent/Drain Valves ** and Plugs	Barrier Diaphragms						
Material of Construction	Carbon Steel *	316 St. St.	316 LSS	A __	♦	♦	♦	♦	♦
	Carbon Steel *	316 St. St.	Hastelloy C	B __	♦	♦	♦		♦
	Carbon Steel *	316 St. St.	Monel	C __	♦	♦			
	Carbon Steel *	316 St. St.	Tantalum	D __	♦	♦			
	316 St. St.	316 St. St.	316 LSS	E __	♦	♦	♦	♦	♦
	316 St. St.	316 St. St.	Hastelloy C	F __	♦	♦	♦		
	316 St. St.	316 St. St.	Monel	G __	♦	♦			
	316 St. St.	316 St. St.	Tantalum	H __	♦	♦			
	Hastelloy C	Hastelloy C	Hastelloy C	J __	v	v	v		
	Hastelloy C	Hastelloy C	Tantalum	K __	v	v			
Monel	Monel	Monel	L __	v	v				
Fill Fluid	Silicone			_ 1 _	♦	♦	♦	♦	♦
	CTFE			_ 2 _	♦	♦	♦		
Process Head Configuration	1/4" NPT			_ _ A	♦	♦	♦	♦	♦
	1/2" NPT with Adapter (on 1/4" NPT Head)			_ _ H	t	t	t	t	t

* Carbon Steel heads are zinc-plated. Not recommended for water service due to hydrogen migration. Use Stainless Steel heads.

** Vent/Drains are Teflon coated for lubricity.

Model Selection Guide, cont.

TABLE II	Selection	Availability				
		20	30	70	25	10
No Selection	00000	*	*	*	*	*

TABLE III - OPTIONS

None	00	*	*	*	*	*	
Communication Options							
FOUNDATION Fieldbus Communications	FF	r	r	r	r	r	b
HART Protocol compatible electronics	HC	y	y	y	y	y	
Indicating Meter Options							
Analog Meter (0-100 Even 0-10 Square Root)	ME	*	*	*	*	*	b
Smart Meter	SM	*	*	*	*	*	
Customer Configuration of Smart Meter	CI	e	e	e	e	e	
Local Zero & Span	ZS	m	m	m	m	m	b
Local Zero	LZ	x	x	x	x	x	
Transmitter Housing & Electronics Options							
Lightning Protection	LP	*	*	*	*	*	
Custom Calibration and I.D. in Memory	CC	*	*	*	*	*	
Transmitter Configuration - non-Fieldbus	TC	*	*	*	*	*	
Write Protection	WP	*	*	*	*	*	
316 ST.ST. Electronics Housing - with M20 Conduit Connections	SH	n	n	n	n	n	b
1/2" NPT to M20 316SS Conduit Adapter (BASEEFA EEx d IIC)	A1	n	n	n	n	n	
1/2" NPT to 3/4" NPT 316 SS Conduit Adapter	A2	i	i	i	i	i	
Stainless Steel Housing with M20 to 1/2" NPT 316 SS Conduit Adapter (use for FM and CSA Approvals)	A3	i	i	i	i	i	
316SS (NACE) Bolts for Adapters							
Stainless Steel Customer Wired-On Tag (4 lines, 28 characters per line, customer supplied information)	TG	*	*	*	*	*	
Stainless Steel Customer Wired-On Tag (blank)	TB	*	*	*	*	*	
High Accuracy	HA	*					
Meter Body Options							
316 SS Bolts and 304 SS Nuts for Process Heads	SS	*	*	*	*	*	b
B7M Bolts and Nuts for Process Heads	B7	*	*	*	*	*	
A286SS (NACE) Bolts and 302/304SS (NACE) Nuts for Heads and	CR	*	*	*	*	*	
316SS Adapter Flange - 1/2" NPT with CS Bolts	S2	c	c	c	c	c	b
316SS Adapter Flange - 1/2" NPT with 316SS Bolts	S3	c	c	c	c	c	
316SS Adapter Flange - 1/2" NPT with NACE A286 Bolts	S4	c	c	c	c	c	
316SS Adapter Flange - 1/2" NPT with B7M Bolts	S5	c	c	c	c	c	
Hastelloy C Adapter Flange - 1/2" NPT with CS Bolts	T2	c	c	c	c	c	
Hastelloy C Adapter Flange - 1/2" NPT with 316SS Bolts	T3	c	c	c	c	c	
Monel Adapter Flange - 1/2" NPT with CS Bolts	V2	c	c	c			
Monel Adapter Flange - 1/2" NPT with 316SS Bolts	V3	c	c	c			
316SS Blind Adapter Flange with CS Bolts	B3	*	*	*	*	*	
316SS Blind Adapter Flange with 316SS Bolts	B4	*	*	*	*	*	
316SS Blind Adapter Flange with NACE A286 Bolts	B5	*	*	*	*	*	
316SS Blind Adapter Flange with B7M Bolts	B6	*	*	*	*	*	
Side Vent/Drain (End Vent Drain is standard)	SV	*	*	*	*	*	
SS Center Vent Drain and Bushing	CV	*	*	*	*	*	
Blind DIN SS Flanges Mounted with NACE Bolts	B2				d		
Modified DIN Process Heads - 316SS	DN				w		
Viton Process Head Gaskets (adapter gaskets ordered separately)	VT	*	*	*	z	*	
Viton Flange Adaptor Gaskets	VF	*	*	*		*	

Model Selection Guide, cont.

		STD1				
		20	30	70	25	10
TABLE III - OPTIONS (continued)						
Transmitter Mounting Brackets Options						
Mounting Bracket - Carbon Steel	MB	*	*	*	*	*
Mounting Bracket - ST. ST.	SB	*	*	*	*	*
Flat Mounting Bracket - Carbon Steel	FB	*	*	*	*	*
Services/Certificates Options						
Clean Transmitter for Oxygen or Chlorine Service with Certificate	0X	j	j	j		
Over-Pressure Leak Test with F3392 Certificate	TP	*	*	*	*	*
Calibration Test Report and Certificate of Conformance (F3399)	F1	*	*	*	*	*
Certificate of Conformance (F3391)	F3	*	*	*	*	*
Certificate of Origin (F0195)	F5	*	*	*	*	*
FMEDA (SIL) Certificate	F6	*	*	*	*	*
NACE Certificate (F0198)	F7	o	o	o	o	o
Warranty Options						
Additional Warranty - 1 year	W1	*	*	*	*	*
Additional Warranty - 2 years	W2	*	*	*	*	*
Additional Warranty - 3 years	W3	*	*	*	*	*
Additional Warranty - 4 years	W4	*	*	*	*	*
Lifetime Warranty - 15 years	WL	*	*	*	*	*

			STD1					
			Availability					
			20	30	70	25	10	
TABLE III - OPTIONS (continued)								
Certificate	Approval Type	Location or Classification	Selection	20	30	70	25	10
No hazardous location approvals			9X	*	*	*	*	*
Factory Mutual	Explosion Proof	Class I, Div. 1, Groups A,B,C,D	1C	*	*	*	*	*
	Dust Ignition Proof	Class II, III Div. 1, Groups E,F,G						
	Non-Incendive	Class I, Div. 2, Groups A,B,C,D						
	Intrinsically Safe	Class I, II, III, Div. 1, Groups A,B,C,D,E,F,G						
CSA	Explosion Proof	Class I, Div. 1, Groups B,C,D	2J	*	*	*	*	*
	Dust Ignition Proof	Class II, III, Div. 1, Groups E,F,G						
	Intrinsically Safe	Class I, II, III, Div. 1, Groups A,B,C,D,E,F,G						
SA (Australia)	Intrinsically Safe	Ex ia IIC T4	4G	*	*	*	*	*
	Non-Sparking	Ex n IIC T6 (T4 with SM option)						
ATEX*	Intrinsically Safe, Zone 0/1	Ⓔ ^{Ex} II 1 G EEx ia IIC T4, T5,T6	3S	*	*	*	*	*
	Flameproof, Zone 1	Ⓔ ^{Ex} II 2 G EEx d IIC T5, T6, Enclosure IP 66/67	3D	*	*	*	*	*
	Non-Sparking, Zone 2	Ⓔ ^{Ex} II 3 G EEx nA, IIC T6 (Honeywell), Enclosure IP 66/67	3N	*	*	*	*	*

*See ATEX installation requirements in the ST 3000 User's Manual

97/23/EC Pressure Equipment Directive (PED)

The ST 3000 pressure transmitters listed in this Model Selection Guide are in conformity with the essential requirements of the PED. A formal statement from TÜV Industry Service Group of TÜV America, Inc., a division of TÜV Süddeutschland, a Notified Body regarding the Pressure Equipment Directive, is available upon request

TABLE IV

Factory Identification	XXXX	*	*	*	*	*
------------------------	------	---	---	---	---	---

Model Selection Guide, cont.

RESTRICTIONS

Restriction		Available Only With		Not Available With	
Letter	Table	Selection	Table	Selection	
a		Pending			
b		Select only one option from this group			
c	I	H			
d	III	DN			
e	III	SM			
i	III	1C or 2J			
j	I	2			
m			III	ME, FF	
n			III	1C, 2J	
o	III	CR, S4, B5			
r			III	TC, ME, 4G, 3S	
t	III	S2,S3,S4,S5,T2,T3,V2,V3			
v		Includes side vent drain - no price add	III	SV	
w	I	E_A, F_A, G_A, H_A	III	SV	
x	III	FF, SM			
z			I	B, D, F, H, J, K	
y			III	4G	

Note: See ST-83 for Published Specials with pricing.
 See ST-89 and User's Manual for part numbers.
 See ST-OE-9 for OMS Order Entry Information including TC, manuals, certificates, drawings and SPINS.
 See ST-OD-1 for tagging, ID, Transmitter Configuration (TC) and calibration including factory default values.

This Page Intentionally Blank

Honeywell